

GL GONIOPHOTOMETER

GLG 8-850

GLG 8-850 a table top model specifically designed for LED modules and component testing can also be used for smaller lamp measurements. This automatic system connected to a PC holds devices up to 8 kg and 850 mm diameter. Angular resolution of 0.1° and C-plane and γ angle +/- 180° make this instrument a universal solution for different applications.

Features:

- Far Field Type C with the horizontal axis
- 2 axis stepper motors
- Angular resolution of 0.1°
- Perfect for small and compact LED and halogen luminaires
- Type A conversion kit available



APPLICATION

Small LED modules and luminaires.
Compliance with the following: CIE121-1996, CIE S 025/E:2015.

TECHNICAL DATA SHEET

CIE Goniometer type	Far Field Type C with horizontal optical axis: <ul style="list-style-type: none"> ▪ DUT moving ▪ 2 axis stepper motors ▪ Harmonic drive
Angular range C axis	± 180°
Angular range γ axis	± 180° theoretical (usable depending on geometry due to shadowing)
Angular positioning precision	0.1°
Reproducibility C axis	0.1°
Reproducibility γ axis	0.1°
Angular speed C axis	up to 45°/s
Angular speed γ axis	up to 45°/s
DUT photometric center positioning	0 to 300 mm; via hand crank
Photometric distance	2.5 – 7.5 m Distance ≥ largest DUT dimension x (5-15); (CIE S 025/E:2015)
DUT mounting plate (bread board)	Square 90 x 90 mm, Fixing: multiple M6 mounting holes
Maximum DUT dimensions	≤ 850 mm (diameter or diagonal)
Goniometer dimensions	350 x 758 x 427 mm (W x H x D)
Maximum operating footprint diameter	1100 mm (when vertical axis is fully extended)
Maximum load	8 kg
Goniometer weight	26 kg
Power supply and max. Consumption	PC connection by Ethernet, 110 – 230 V 40W
Sensor type	GL OPTIC Spectrometer range: <ul style="list-style-type: none"> ▪ GL SPECTIS 1.3 LS ▪ GL SPECTIS 1.0 Touch ▪ GL SPECTIS 1.0 Touch + Flicker ▪ GL SPECTIS 4.0 ▪ GL SPECTIS 5.0 Touch ▪ GL PHOTOMETER 3.0 LS + Flicker
Product no.	203260

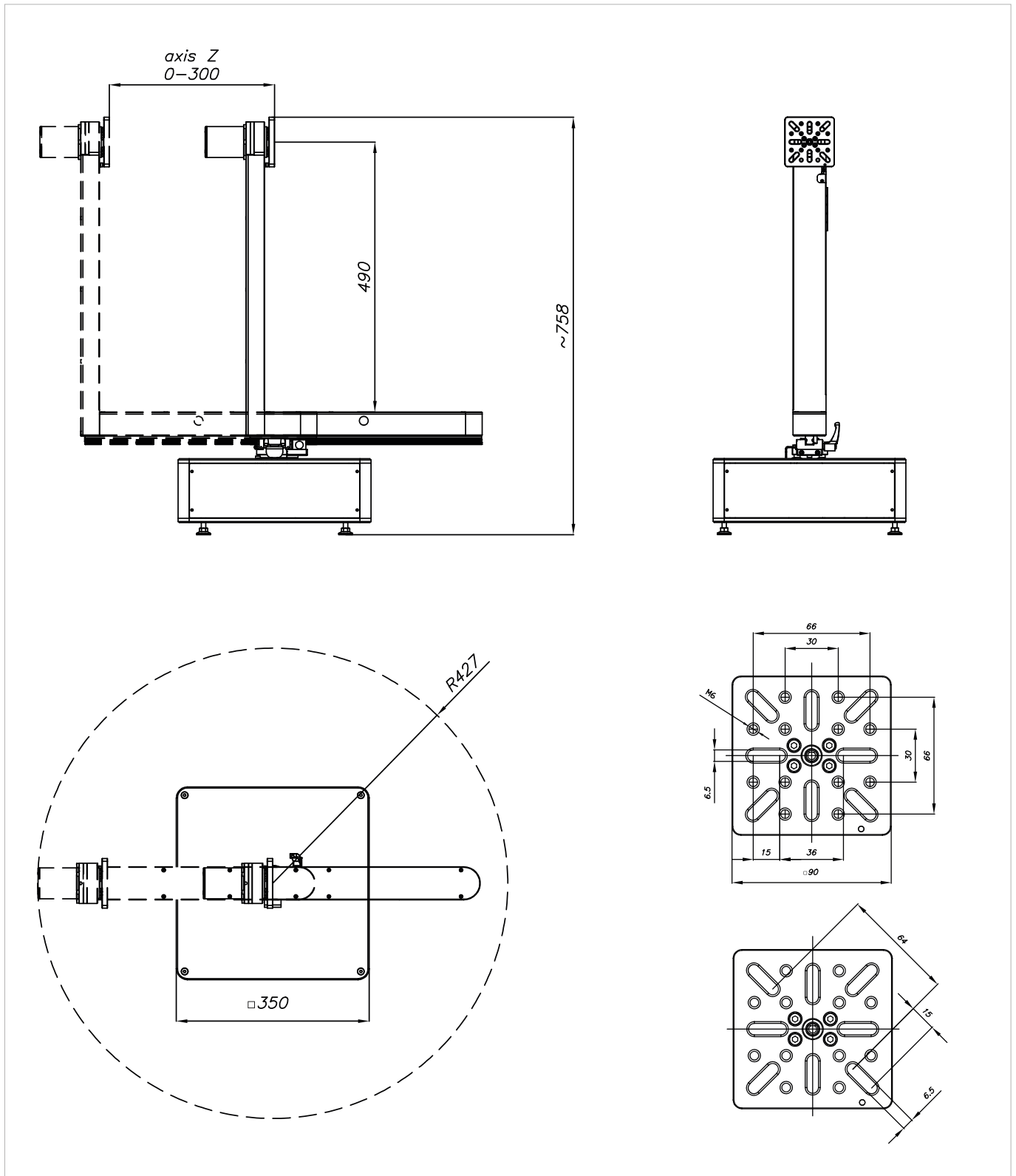
GL OPTIC POLSKA Sp. z o.o.

ul. Poznańska 70, 62-040 Puszczykowo, Poland
Phone: +48 61 819 40 03 | E-mail: office@gloptic.com
www.gloptic.com



Light quality control

TECHNICAL SHEET



Note: Instrument, firmware and software specification are subject to change without prior notice. All information included in GL OPTIC datasheets and product information available in any form are carefully prepared and included information believed to be true. Please note that discrepancies may occur due to text and/or other errors or changes in the available technology. We advise to contact GL Optic before the use of the product to obtain the latest product specification.
Published on March 16 2023.

GL OPTIC POLSKA Sp. z o.o.

ul. Poznańska 70, 62-040 Puszczykowo, Poland
Phone: +48 61 819 40 03 | E-mail: office@gloptic.com
www.gloptic.com



Light quality control